

FK **FUKE** 福客®

FK22SR

**Boutique Manufacturing
Conquer the word with Quality**



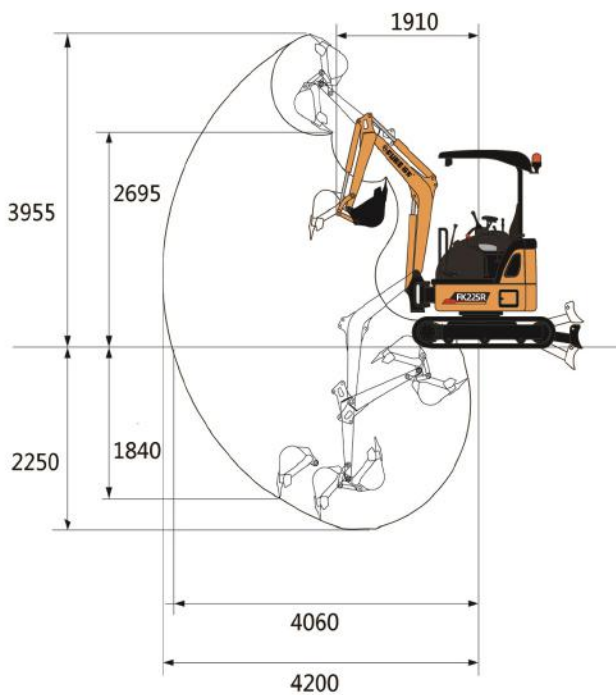
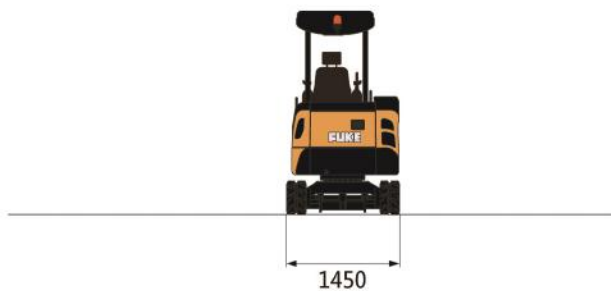
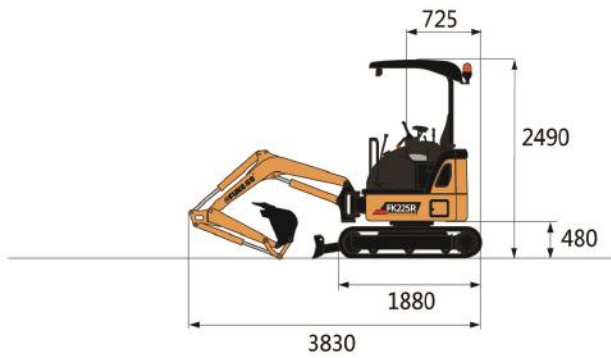
FK22SR

Total Weight: 2200 kg

Standard bucket capacity: 0.066 m³

Rated power: 15.4/2400 kW/rpm

- New generation product
- Full upgrade of details
- Excellent work performance
- No tail design
- Comfortable driving experience
- Low fuel consumption
- High efficiency



► Technical specifications

Basic parameters

Total Weight	2200 kg
Standard bucket capacity	0.066 m ³

Performance parameter

Engine	Yanmar
Engine rated power	15.1/2400 kW/rpm
Gradeability	30 °
Maximum digging force of stick	13.34 kN
Bucket excavation	19.13 kN
Driving speed	2.4/4.3 km/h
Platform rotation speed	8-9 rpm

Job parameters

Maximum digging height	3955 mm
Maximum digging depth	2250 mm
Maximum digging radius	4200 mm
Maximum ground excavation radius	4060 mm
Maximum unloading height	2695 mm
Minimum radius of gyration	1910 mm
Maximum vertical digging depth	1840 mm

Transport size

Overall length (transport state)	3830 mm
Overall width (transport state)	1450 mm
Overall height (transport state)	2490 mm

Other parameters

Track width	1450 mm
Track length	1880 mm
Minimum ground clearance	145 mm
Balance weight off the ground	480 mm
Radius of tail gyration	725 mm
Fuel tank capacity	27 L
Hydraulic oil tank capacity	28 L

安徽福客重工设备有限公司
Anhui Fuke Heavy Industry Equipment Co., Ltd.

Contact us:

Phone/Whatsapp: +8613505697380

Email: fk002@fukebn.com/fuke7380@gmail.com

www.fukeonline.com

