



FK-1000Y

进 取 不 止

Boutique Manufacturing
Conquer the word with Quality



www.fukeonline.com

fk002@fukebn.com

Lifting Performance Parameter Table

Maximum rated total lifting capacity

100T

Maximum gradeability

50%

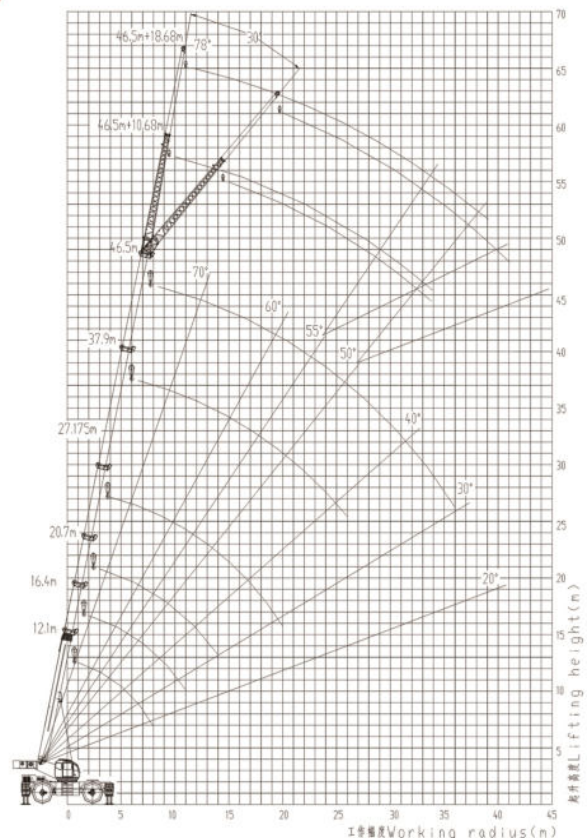
Total weight

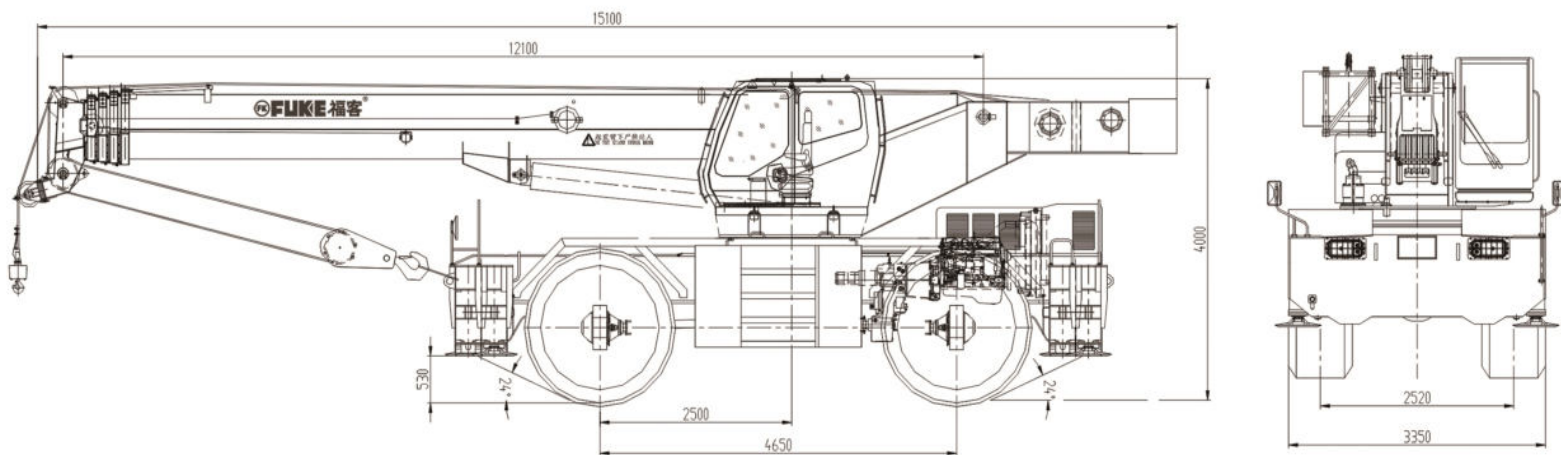
56000kg

Engine rated power

228/2100Kw/(r/min)

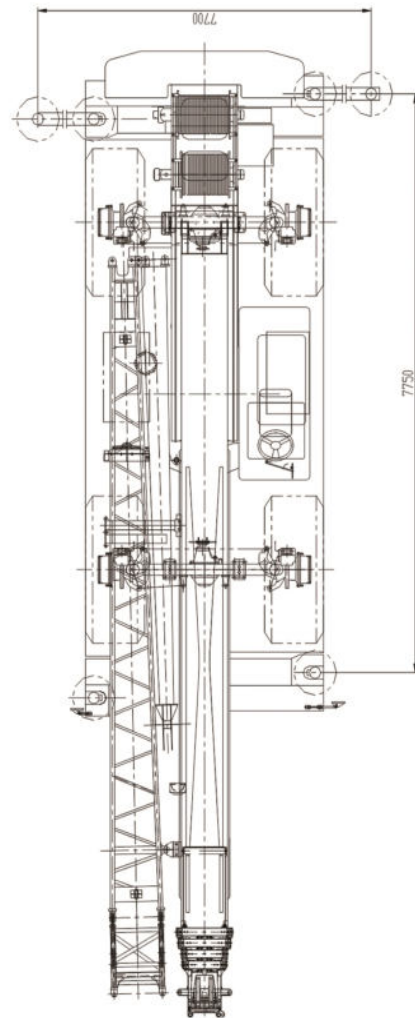
Lifting Performance Graph





Technical Parameters

Overall length*width*height	15100*3350*4000 mm
Wheelbase	4650 mm
Axle track	2520 mm
The weight of the whole machine	56000 kg
Engine rated power	228/2100 Kw/(r/min)
Engine torque	1200/1400 N.m(r/min)
Maximum rated total lifting capacity	100 t
Rated working range	3 m
Maximum travel speed	35 Km/h
Minimum turning diameter	8 m
Turntable tail radius of gyration	4.68 m
Minimum ground clearance	580 mm
Approach angle	20°
Departure angle	20°
Braking distance (vehicle speed is 30Km/h)	≤8.5 m
Maximum grade	50 %
Maximum noise outside the machine when accelerating	84 dB(A)
Maximum turning speed	1.5 r/min
Lifting height(Longest main boom/Longest main boom + jib)	46.4/65.5 m
Boom length(Basic arm/Longest main boom/Longest main boom + jib)	12.1/46.5/65.18 m



*We follows the principle of continuous improvement Product performance parameters will be partially changed due to technical improvements without prior notice.

Contact us:

Phone/Whatsapp:+8613505697380

Email:fk002@fukebn.com/fuke7380@gmail.com

