



www.fukeonline.com fk002@fukebn.com

Maximum rated total lifting capacity

25T

Maximum gradeability

44%

Total weight

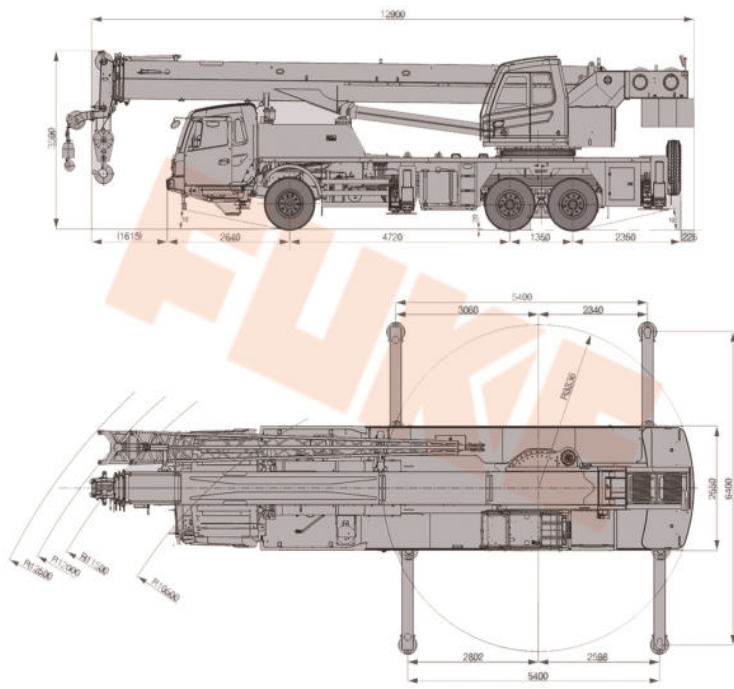
31300kg

Main action parameters

| | |
|-------------------|--|
| Main winch | Single rope speed 0-140m/min, diameter/length ϕ 16mm/165m, maximum single rope pulling force 5t |
| Vice winch | Single rope speed 0-140m/min, diameter/length ϕ 16mm/95m, maximum single rope pulling force 5t |
| Turn around | 0-2.5 r/min |
| Fluctuation range | 30s/50s (- 2-80°) |
| Stretch | 45s/45s (10.8m-35m) |



Crane dimensions

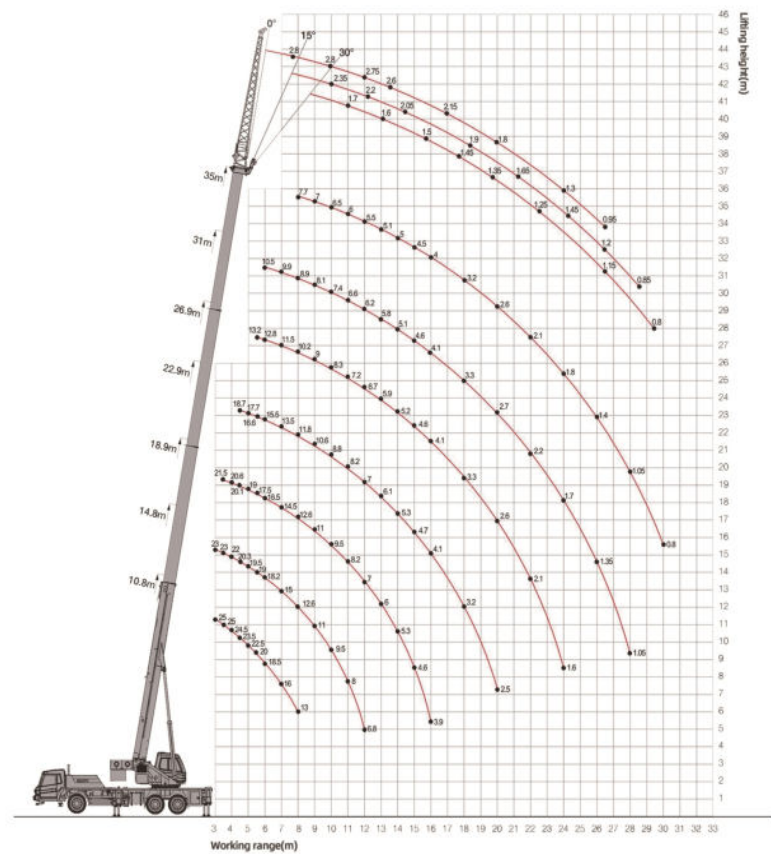


Main technical parameters

| | |
|--|--------------------------|
| Overall length * width * height | 12900*2500*3590 mm |
| Wheelbase | 4720 mm |
| Engine model | Yuchai |
| Engine rated output power | 199/2300 Kw/rpm |
| Engine maximum output torque | 1160/(1200-1700) N.m/rpm |
| Total mass of the whole machine | 31300 kg |
| Maximum travel speed | 85 km/h |
| Minimum turning diameter | 10.5 m |
| Minimum ground clearance | 250 mm |
| Approach angle | 10° |
| Departure angle | 12° |
| Braking distance (vehicle speed is 30km/h) | ≤10 m |
| Maximum grade | 44% |
| Fuel consumption per hundred kilometers | 31 L |
| Maximum rated total lifting capacity | 25 t |
| Minimum rated range | 3 m |
| Maximum lifting moment | 1103/686 kN.m |
| Outrigger span (horizontal x longitudinal) | 6.4x5.4 m |
| Lifting height (Basic boom/longest main boom) | 11.3/35.5 m |
| Boom length(Basic boom/longest main boom) | 10.8/35 m |
| Maximum speed of single rope of main winch (no load) | 140 m/min |
| Boom fully extended/retracted time | 45/45 s |
| Full lifting/falling time of boom | 30/50 s |
| Swing speed | 0-2.5 r/min |
| Horizontal outrigger full extension/retraction time | 35/20 s |
| Vertical outrigger full retract/release time | 35/20 s |

*We follows the principle of continuous improvement Product performance parameters will be partially changed due to technical improvements without prior notice.

Lifting height curve of main and jib



Main boom performance table

| Amplitude (m) | 10.8 | 14.8 | 18.9 | 22.8 | 26.9 | 31 | 35 |
|----------------|-------|-------|-------|-------|-------|-------|------|
| 3 | 25000 | 23000 | | | | | |
| 3.5 | 25000 | 23000 | 21500 | | | | |
| 4 | 24500 | 2000 | 20600 | | | | |
| 4.5 | 23500 | 20300 | 20100 | 18700 | | | |
| 5 | 22500 | 19500 | 19000 | 17700 | | | |
| 5.5 | 20000 | 19000 | 17500 | 16600 | 13200 | | |
| 6 | 18500 | 18200 | 16500 | 15500 | 12800 | 10500 | |
| 6.5 | 17200 | 16500 | 15800 | 14500 | 12100 | 10100 | |
| 7 | 16000 | 15000 | 14500 | 13500 | 11500 | 9900 | |
| 8 | 14500 | 14300 | 14000 | 12400 | 10800 | 9600 | 7700 |
| 9 | 13000 | 13500 | 12600 | 11800 | 10200 | 8900 | 7000 |
| 10 | | 11500 | 11000 | 10600 | 9000 | 8100 | 6500 |
| 11 | | 9600 | 9500 | 8800 | 8300 | 7400 | 6000 |
| 12 | | 8000 | 8200 | 8200 | 7200 | 6200 | 5500 |
| 13 | | 6800 | 7000 | 7000 | 6700 | 5800 | 5100 |
| 14 | | | 6000 | 6100 | 5900 | 5100 | 5000 |
| 16 | | | 4600 | 5300 | 5200 | 4600 | 4500 |
| 18 | | | 3900 | 4700 | 4100 | 4100 | 4000 |
| 20 | | | | 4100 | 3300 | 3300 | 3200 |
| 22 | | | | 3200 | 2600 | 2700 | 2600 |
| 24 | | | | 2500 | 2100 | 2200 | 2100 |
| 26 | | | | | 1600 | 1700 | 1400 |
| 28 | | | | | | 1350 | 1050 |
| 30 | | | | | | 1050 | 800 |
| Magnificat ion | 8 | 8 | 6 | 5 | 4 | 3 | 3 |

