

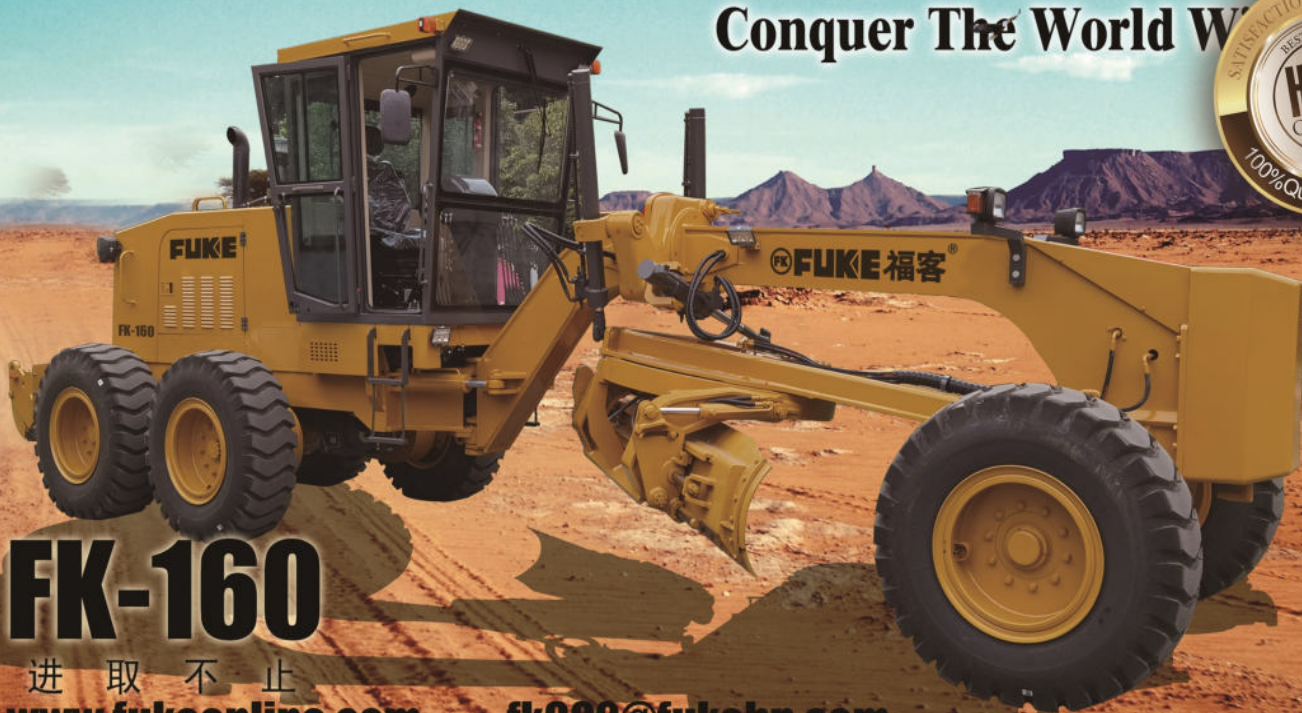
**FK** **FUKE** 福客®



**FUKE**

Boutique Manufacturing

Conquer The World With Quality



**FK-160**

进 取 不 止

[www.fukeonline.com](http://www.fukeonline.com)

[fk002@fukebn.com](mailto:fk002@fukebn.com)

## Basic Information

Total weight

**16500kg**

Max. torque

**908N.m**

Main traction force

**110kN**

Blade length

**4270mm**

Rated power

**160KW**

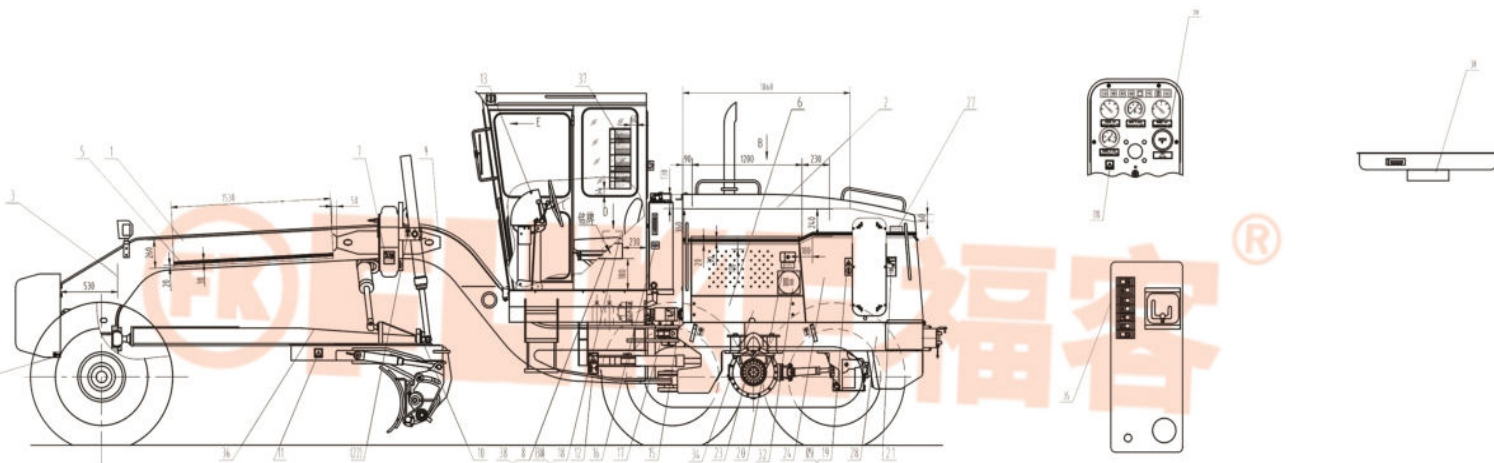
Rated rotary speed

**2200rpm**

[www.fukeonline.com](http://www.fukeonline.com)

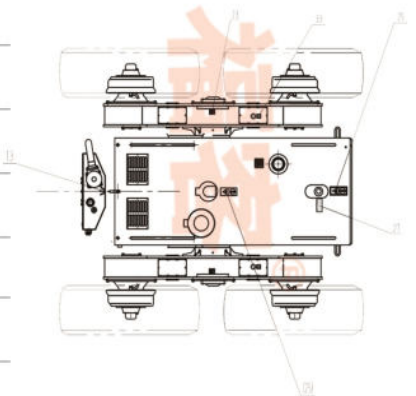
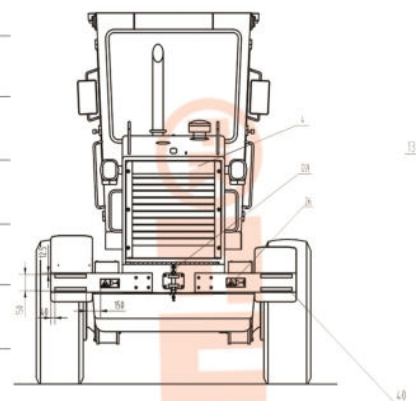
[fk002@fukebn.com](mailto:fk002@fukebn.com)

# Outline



## Technical Specification

Total weight	16500kg
Max traction force	110kN
Blade cutting force	7800kg
Min turning radius	8100mm
Steering angle	45°
Frame articulation angle	20°
Front tilting angle	17°
Front wheel wing angle	15°
Length*Width*Heigh	9250*2600*3330mm
Blade length	4270mm
Blade angle of rotation	360°
Blade tilting angle	90°
Max lift height of the blade from ground	455mm
Max depth of the blade	495mm
Blade angle range	30° ~ 65°
Max climbing ability	25°
Engine Model	Yuchai
Rated power	160KW
Rated speed	2200r/min
Max torque	908N.m/1500rpm



\*We follows the principle of continuous improvement Product performance parameters will be partially changed due to technical improvements without prior notice.



Contact us:

Phone/Whatsapp:+8613505697380

Email:fk002@fukebn.com/fuke7380@gmail.com

**FUKE**

Anhui Fuke Heavy Industry Equipment Co., Ltd.